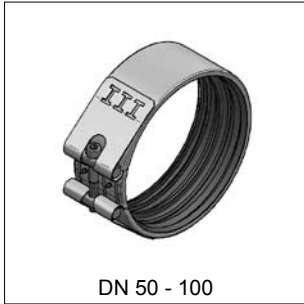


MEFA connectors for waste water piping



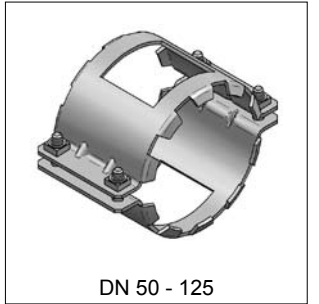
DN 50 - 100
SIMA >G< one screw
Page 3b/2



DN 125 - 150
SIMA >G< two screws
Page 3b/2



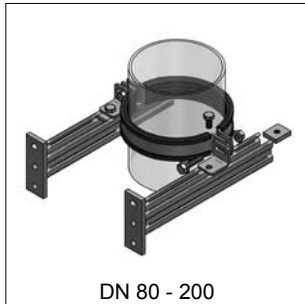
DN 200
SIMA >CV<
Page 3b/2



DN 50 - 125
SIMA-Cramp grip connector
Page 3b/3



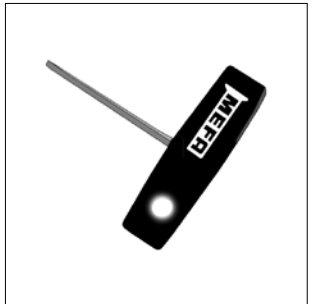
DN 150 - 250
SIMA-Cramp grip connector
Page 3b/3



DN 80 - 200
Downstream support
Page 3b/4



DN 50 - 125
SIMA-CON reducing connector
Page 3b/5



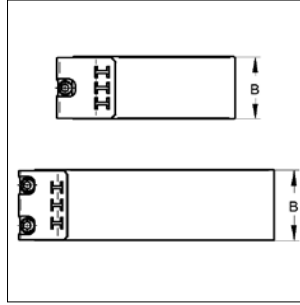
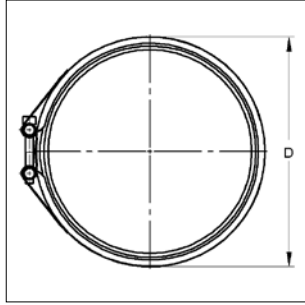
SIMA handdriver 5/150
Page 3b/5

3b

SIMA >G< connector



SIMA >G< one screw
SIMA >G< two screws



SIMA >G< one screw
SIMA >G< two screws

Plug connector suitable
for cast iron pipe and
fittings

Entspricht
DIN EN 877

350 h
Salzsprühnebeltest
nach
ISO 7253

Specification:

Connector type:	plug connector
Closure part connection:	seamed joint
Nominal width:	DN 50 up to 150
OD:	58 up to 160 mm
Pressure load:	tested up to 0,5 bar
Tightening torque per screw:	6 Nm
Type of screw (DIN 912):	hexagon socket, M6 (SW 5)
Property class of screw:	8.8
Number of seals in rubber cuff:	4

Technical data:

Material pipe clamp strap:	steel
Material type:	S 320 GD
Surface:	Zinc-Aluminium casting
Material clamp strap:	steel
Material type:	9 S 20
Surface:	Zinc-Aluminium casting
Rubber cuff:	EPDM lining
Temperature resistance:	- 35 °C up to + 80 °C
Shore-hardness	55 ± 5° shore

Remark: For pressure loads > 0,5 bar the SIMA-Cramp grip connector should be used

Nominal width DN 50 up to 100 (connector with one screw)

Identification	Nominal width	OD	Width clamp strap	Overall width	Weight	Packing	Part-No.
	[DN]		[mm]	B			
SIMA >G<	50	58	46	70	0,146	100	4470050
SIMA >G<	70	78	46	90	0,175	100	4470070
SIMA >G<	80	83	46	95	0,181	50	4470080
SIMA >G<	100	110	46	122	0,215	50	4470100

Nominal width DN 125 up to 150 (connector with two screws)

SIMA >G<	125	135	51	150	0,285	25	4470125
SIMA >G<	150	160	51	175	0,323	20	4470150

SIMA >CV< connector



SIMA >CV<

Specification:

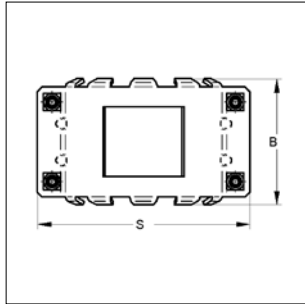
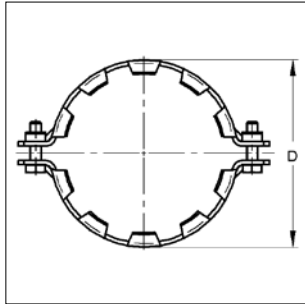
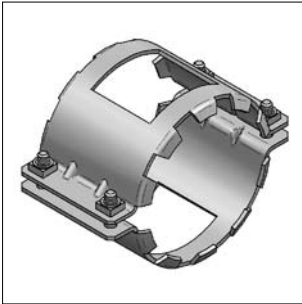
Connector type:	plug connector
Closure part connection:	welded connection
Nominal width:	DN 200
OD:	210 mm
Pressure load:	tested up to 0,5 bar
Number of seals in rubber cuff:	4

Technical data:

Material pipe clamp strap:	stainless steel
Materials:	1.4510/11
Material clamp strap:	steel
Surface:	galvanized
Rubber cuff:	EPDM lining
Temperature resistance:	- 35 °C up to + 100 °C

Identification	Nominal width	OD	Width clamp strap	Overall width	Weight	Packing	Part-No.
	[DN]		[mm]	[mm]			
SIMA >CV<	200	210	78	220	0,681	10	4472002

SIMA-Cramp grip connector



MEFA
MEFA GmbH
Kupferzell
Verbinderkralle
SIMA-Cramp >S<
22 1130 3 94
MPA NRW

SIMA-Cramp grip connector
DN 50 up to 125

Specification:

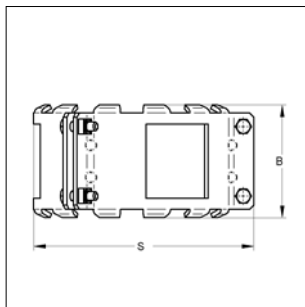
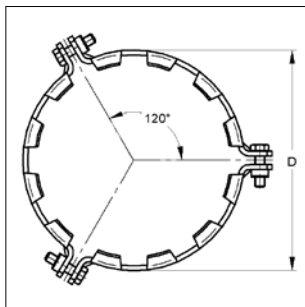
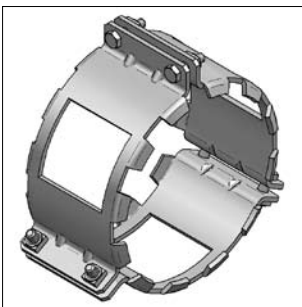
Application area: grip connector without sleeves, drain pipes in connection with connector SIMA >G<
Nominal width: DN 50 up to 250
OD: 58 up to 274 mm
Pressure load: tested up to 5 bar

Technical data:

Material pipe clamp strap: steel
Material type: S235JR
Surface: galvanized

¹⁾ For DN80 test certificate MPA NRW-00093-1 is essential

Identification	Nominal width [DN]	OD [mm]	Number of components	Tightening torque [Nm]	D [mm]	B [mm]	S [mm]	Pressure load tested [bar]	Weight [kg/pc.]	Packing [pcs.]	Part-No.
SIMA-Cramp	50	58	2	15	75	79	113	5	0,434	20	4472500
SIMA-Cramp	70	78	2	15	99	92	134	5	0,641	20	4472705
SIMA-Cramp	80¹⁾	83	2	20	102	74	138	5	0,712	10	4472805
SIMA-Cramp	100	110	2	15	130	103	174	5	0,877	10	4473000
SIMA-Cramp	125	135	2	20	154	103	202	5	1,075	10	4473256

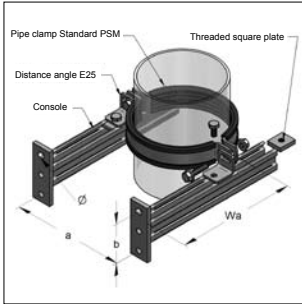


MEFA
MEFA GmbH
Kupferzell
Verbinderkralle
SIMA-Cramp >S<
22 1130 3 94
MPA NRW

SIMA-Cramp grip connector
DN 150 up to 250

Identification	Nominal width [DN]	OD [mm]	Number of components	Tightening torque [Nm]	D [mm]	B [mm]	Pressure load tested [bar]	Weight [kg/pc.]	Packing [pcs.]	Part-No.
SIMA-Cramp	150	160	3	20	183	106	5	1,600	10	4473507
SIMA-Cramp	200	210	3	20	236	120	5	2,600	5	4474000
SIMA-Cramp	250	274	3	30	300	133	5	3,480	4	4474508

Fixpoint support for downstream piping



Downstream support
(mounted)

Specification:

Nominal width: DN 80 up to 200
OD: 83 up to 210 mm
Sound insulation: according to DIN 4109

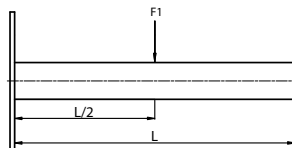
Technical data:

Material: steel
Surface: galvanized
Sound insulation lining: EPDM lining
Temperature resistance: - 35 °C up to + 100 °C
Insulation thickness: 6 mm

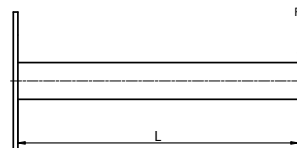
Remark: To prevent slippage of the pipe a flange or similar should be placed above the clamp

Identification	Nominal width	OD [mm]	a [mm]	b [mm]	WA _{min.} [mm]	WA _{max.} [mm]	Console hole Ø [mm]	max. load		Weight [kg/pc.]	Packing [pc.]	Part-No.
								F1 [kN]	F2 [kN]			
Set	DN 80	83	140	55	75	260	15 x 11	1,44	0,72	1,55	1	4500800
Set	DN 100	110	165	55	75	260	15 x 11	1,44	0,72	1,62	1	4501000
Set	DN 125	135	200	80	85	300	15 x 11	4,16	2,08	2,58	1	4501250
Set	DN 150	160	230	80	100	300	15 x 11	4,16	2,08	2,69	1	4501500
Set	DN 200	210	280	85	125	315	20 x 14	6,64	3,32	4,17	1	45020045

Loading condition 1 (LC1)



Loading condition 2 (LC2)



Set-content

Identification	Nominal width	Pipe clamp		Consoles		Distance-angle [2 pcs.]	Hexagon-screws [2 pcs.]	Threaded-square plates [2 pcs.]
		Identification [1 pc.]	Clamping range [mm]	Identification [2 pcs.]	Length [mm]			
Set	DN 80	Standard PSM	84 - 90	C-Profil 35/21/2,0	263	E25	M10 x 20	35 x 30, M10
Set	DN 100	Standard PSM	108 - 112	C-Profil 35/21/2,0	263	E25	M10 x 20	35 x 30, M10
Set	DN 125	Standard PSM	133 - 136	Stex 35/42/1,5	300	E25	M10 x 20	35 x 30, M10
Set	DN 150	Standard PSM	158 - 163	Stex 35/42/1,5	300	E25	M10 x 20	35 x 30, M10
Set	DN 200	Standard PSM	207 - 213	C-Profil 45/45/2,0	315	2-hole angle 40/5 elongated hole horiz.	M12 x 30	Tooth plate S 36 x 20, M12

■ SIMA-CON reducing connector



SIMA-CON



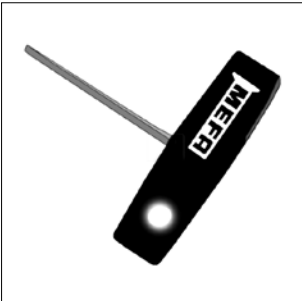
Specification:		Technical data:	
Connector type:	reducing connector	Material:	EPDM lining
Application area:	for connecting pipes of PE and HT according to DIN 19535 and all pipes according to DIN 19 560 on SML-piping system according to DIN 19 522	rubber cuff:	
Nominal width:	DN 50 up to 125	Temperature resistance:	- 35 °C up to + 100 °C
OD:	40 up to 125 mm	Material pipe clamp:	stainless steel
Pressure load:	tested up to 0,5 bar	Materials:	1.4016
Sound insulation lining according to:	DIN 4060 of EN 877 DIN 19 522	Screw:	cross slot, SW7
		Tightening torque:	2 Nm
		Manufacturer identification:	EK-Fix-Verbinder

3b

Identification	Nominal width SML-pipe [DN]	Connecting pipe OD [mm]	Plug-in depth [mm]	Overall height [mm]	Weight [kg/pc.]	Packing [pcs.]	Part-No.
SIMA-CON	50	40-56	42	63	0,120	50	4475050
SIMA-CON	70	56-75	55	77	0,180	50	4475070
SIMA-CON	80	75-90	60	83	0,242	20	4475080
SIMA-CON	100	104-110	65	95	0,313	20	4475100
SIMA-CON	125	125	75	103	0,430	10	4475125

assembly instruction see chapter 15

■ SIMA handdriver



SIMA handdriver 5/150



Hexagon bit 25 mm

Identification	Packing [pc.]	Part-No.
SIMA handdriver 5/150	1	5010065
Hexagon bit 25 mm, 1/4", SW 5	1	5010075